



MODEL BENELLI TRK 502 X

YEAR 2018 -->

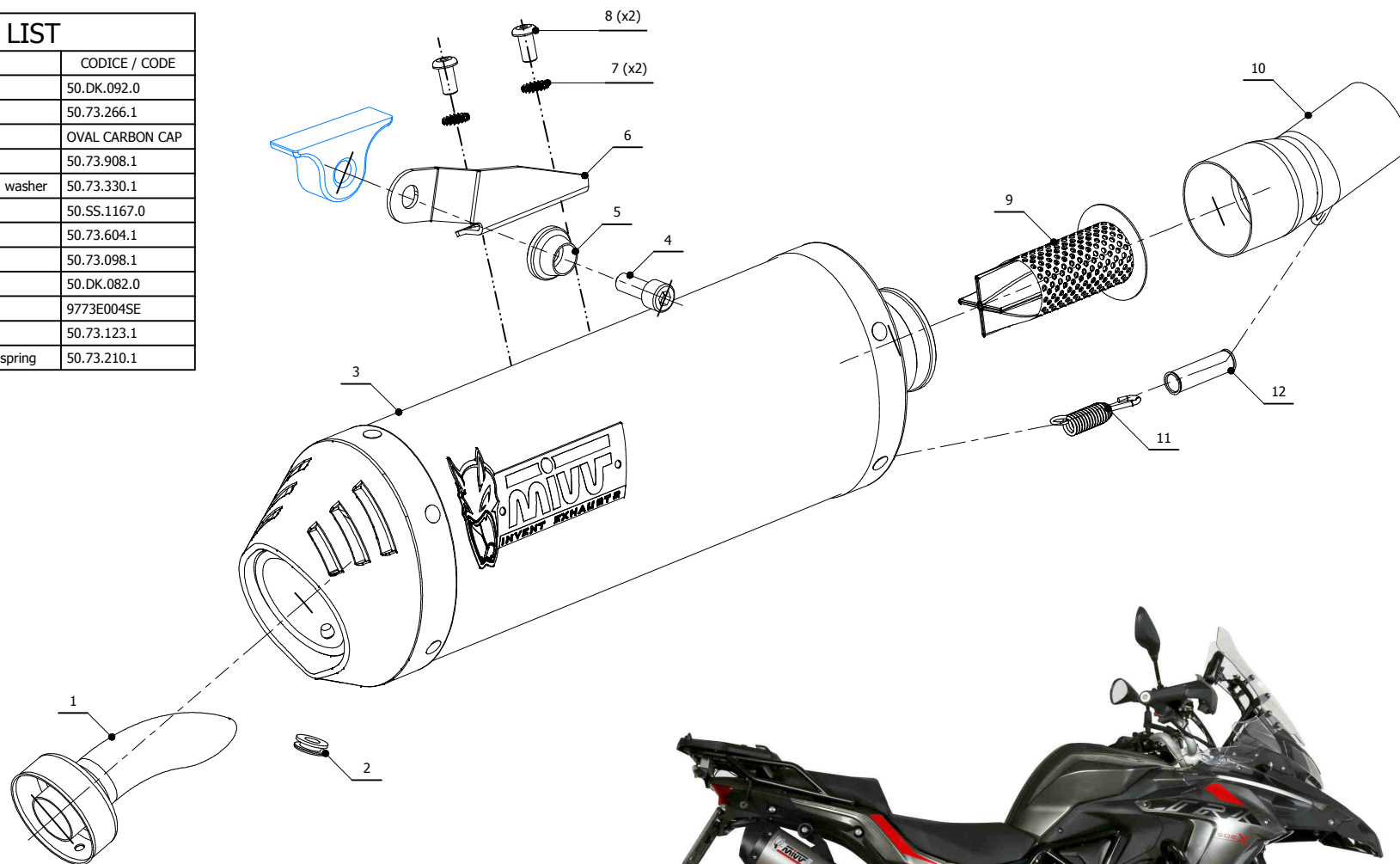
LINE SLIP ON

MUFFLER OVAL CARBON CAP

SCHEMATIC

ELENCO PARTI / PARTS LIST

#	QTÀ / QTY	DESCRIZIONE / DESCRIPTION	CODICE / CODE
1	1	DB killer / DB killer	50.DK.092.0
2	1	Tappo in gomma / Rubber stopper	50.73.266.1
3	1	Silenziatore / Muffler L.360	OVAL CARBON CAP
4	1	Vite M10x25 / Screw M10x25	50.73.908.1
5	1	Rondella in alluminio nera / Black aluminium washer	50.73.330.1
6	1	Staffa / Bracket	50.SS.1167.0
7	2	Rondella di sicurezza / Safety washer	50.73.604.1
8	2	Vite M8 x 16 / Screw M8 x 16	50.73.098.1
9	1	Db Killer forato / Drilled DB killer	50.DK.082.0
10	1	Tubo di raccordo / Link pipe	9773E004SE
11	1	Molla corta / Short Spring	50.73.123.1
12	1	Tubo in gomma per molla / Rubber pipe for spring	50.73.210.1



APPLICAZIONI / APPLICATIONS

CODICE / CODE	SILENZIATORE / MUFFLER	TUBO / PIPE
E.004.L3C	CARBONIO (COPPA CARBONIO) / CARBON (CARBON CAP)	INOX / ST.STEEL
E.004.L4C	TITANIO (COPPA CARBONIO) / TITANIUM (CARBON CAP)	