



MODEL HONDA CRF 1000 L AFRICA TWIN

YEAR 2016

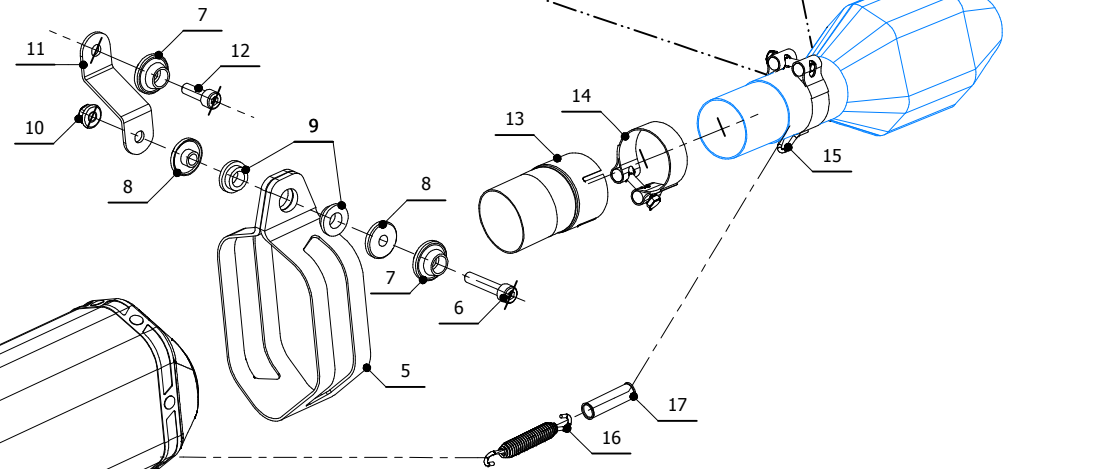
LINE SPORT

MUFFLER SPEED EDGE

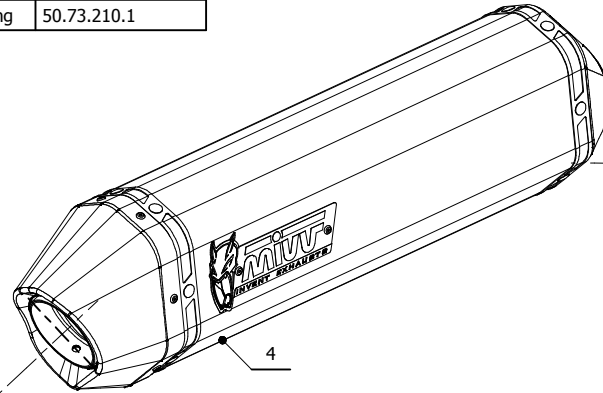
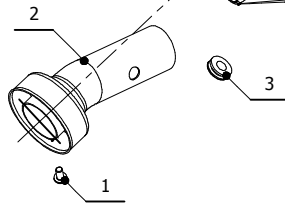
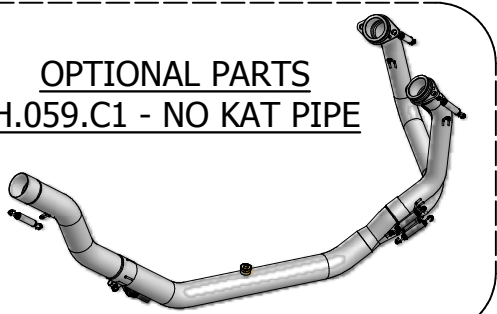
SCHEMATIC

ELENCO PARTI / PARTS LIST

#	QTÀ / QTY	DESCRIZIONE / DESCRIPTION	CODICE / CODE
1	1	Vite M5 x 8 / Screw M5 x 8	50.73.459.1
2	1	DB killer / DB killer	50.DK.064.0
3	1	Tappo in gomma / Rubber stopper	50.73.266.1
4	1	Silenziatore / Muffler	SPEED EDGE 400
5	1	Staffa in carbonio / Carbon fiber bracket	50.SS.814.1
6	1	Vite M8x40 / Screw M8x40	50.73.075.1
7	2	Rondella in alluminio nera / Black aluminium washer	50.73.221.1
8	2	Boccola / Bush	50.73.381.1
9	2	Silentblock / Silentblock	50.73.380.1
10	1	Dado M8 flangiato / Flanged nut M8	50.73.393.1
11	1	Staffa / Bracket	50.SS.963.0
12	1	Vite M8x25 / Screw M8x25	50.73.064.1
13	1	Tubo di raccordo / Link pipe	9773H059SE
14	1	Fascetta Ø 48/51 mm / Pipe clamp Ø 48/51 mm	50.FA.007.1
15	1	Fascetta / Pipe clamp	50.73.806.1
16	1	Molla media / Middle spring	50.73.359.1
17	1	Tubo in gomma per molla / Rubber pipe for spring	50.73.210.1



OPTIONAL PARTS
H.059.C1 - NO KAT PIPE



APPLICAZIONI / APPLICATIONS

CODICE / CODE	SILENZIATORE / MUFFLER	TUBO / PIPE	FASCETTA / CLAMP
H.059.LRX	INOX (COPPE CARBONIO) / ST. STEEL (CARBON CAPS)	INOX / ST. STEEL	CARBONIO / CARBON FIBER
H.059.LRB	STEEL BLACK		