



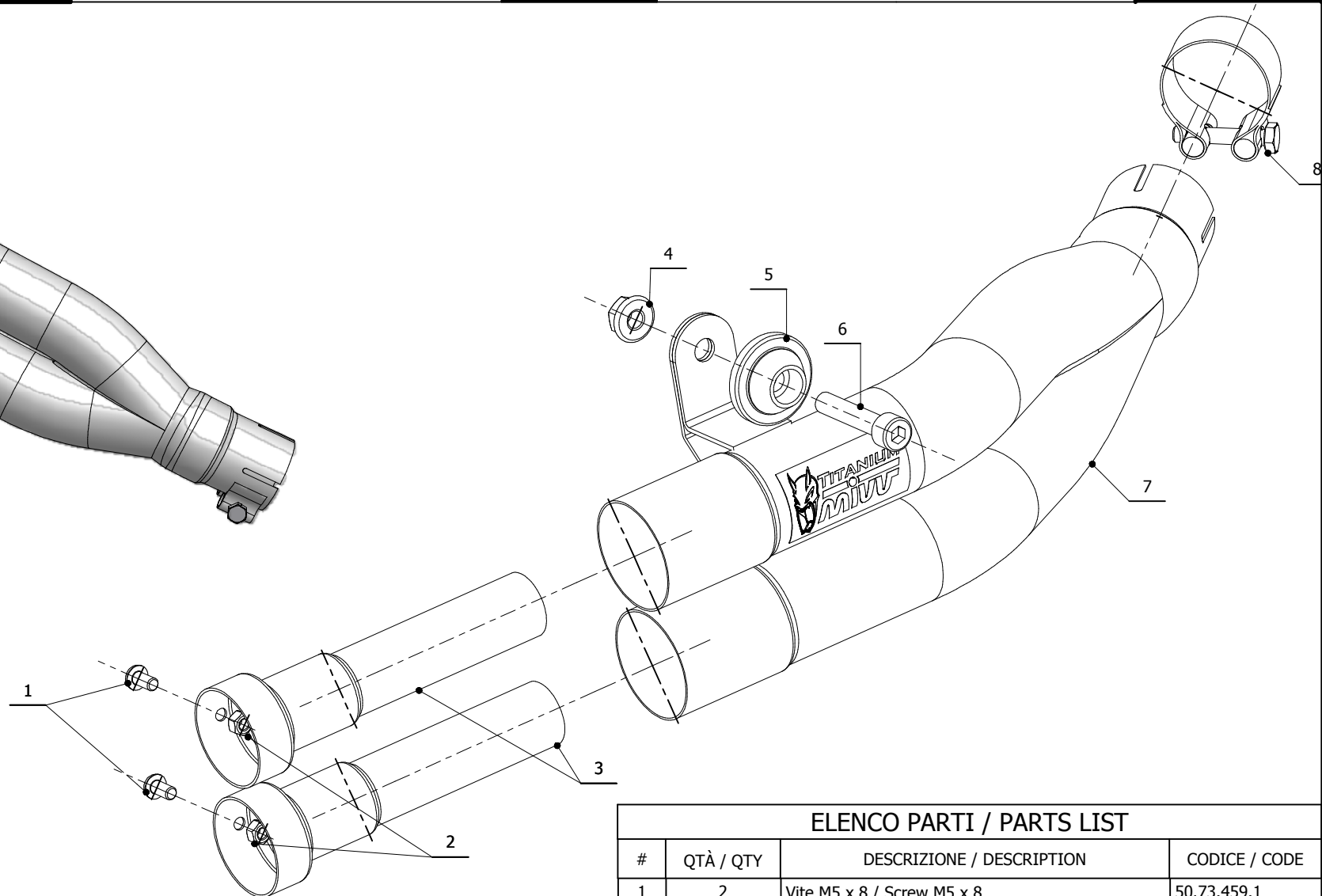
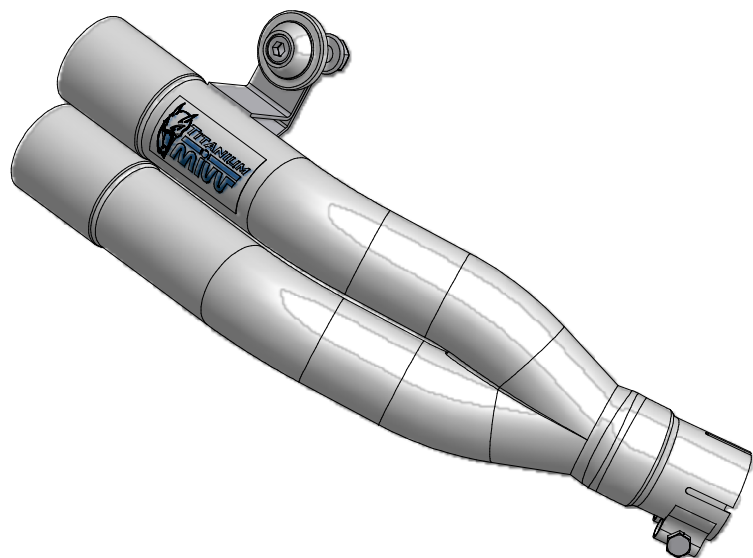
MODEL SUZUKI SFV 650 GLADIUS

YEAR 2009-->

LINE SPORT

MUFFLER DOUBLE GUN

SCHEMATIC



APPLICAZIONI / APPLICATIONS

CODICE / CODE	TUBO / PIPE	SILENZIATORE / MUFFLER
S.035.LDG	---	TITANIO / TITANIUM

ELENCO PARTI / PARTS LIST

#	QTÀ / QTY	DESCRIZIONE / DESCRIPTION	CODICE / CODE
1	2	Vite M5 x 8 / Screw M5 x 8	50.73.459.1
2	2	Dado M5 / M5 nut	50.73.267.1
3	2	DB killer / DB killer	50.DK.059.0
4	1	Dado 8 MA flangiato / Flanged nut 8 MA	50.73.052.1
5	1	Rondella in alluminio / Aluminium washer	50.73.063.1
6	1	Vite M8x40 / Screw M8x40	50.73.075.1
7	1	Silenziatore / Muffler	DOUBLE GUN
8	1	Fascetta Ø 40/43 mm / Pipe clamp Ø 40/43 mm	50.FA.005.1