



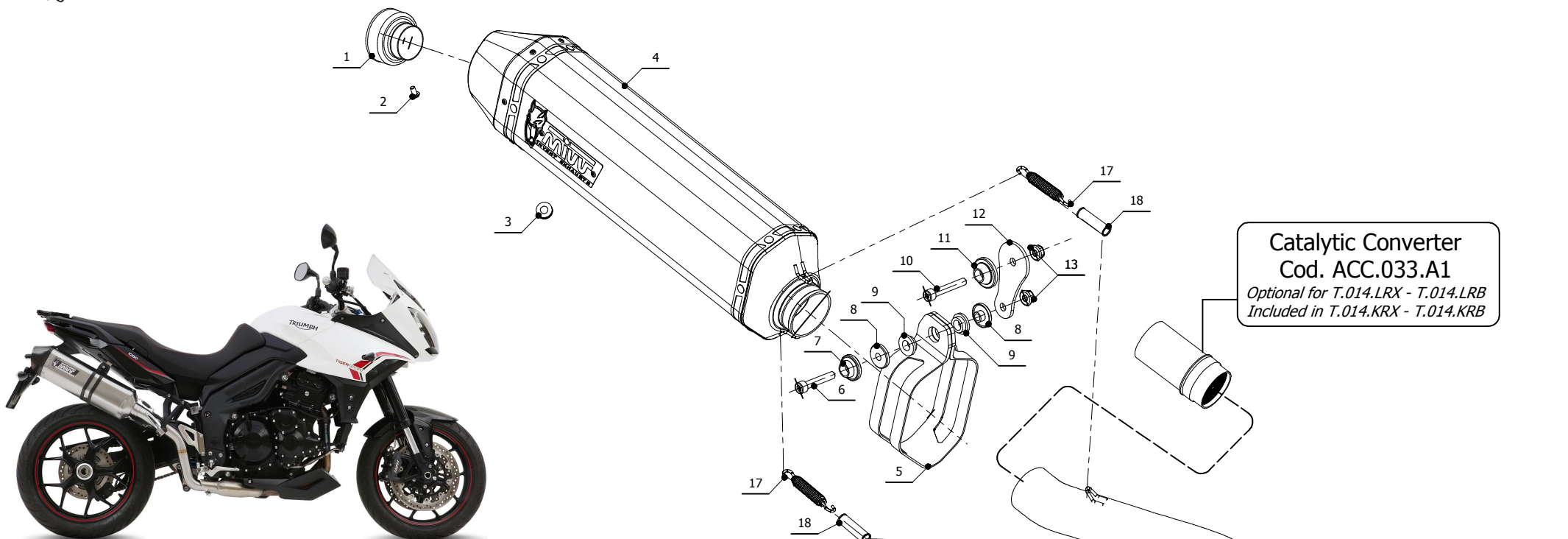
**MODEL** TRIUMPH TIGER 1050 SPORT

**YEAR** 2013 - 2015

**LINE** SLIP ON

**MUFFLER** SPEED EDGE

**SCHEMATIC**



**Catalytic Converter**  
**Cod. ACC.033.A1**  
*Optional for T.014.LRX - T.014.LRB*  
*Included in T.014.KRX - T.014.KRB*



**ELENCO PARTI / PARTS LIST**

| #  | QTÀ / QTY | DESCRIZIONE / DESCRIPTION                           | CODICE / CODE  |
|----|-----------|---|----------------|
| 1  | 1         | DB killer / DB killer                               | 50.DK.086.0    |
| 2  | 1         | Vite M5 x 8 / Screw M5 x 8                          | 50.73.459.1    |
| 3  | 1         | Tappo in gomma / Rubber stopper                     | 50.73.266.1    |
| 4  | 1         | Silenziatore / Muffler                              | SPEED EDGE 400 |
| 5  | 1         | Staffa in carbonio / Carbon fiber bracket           | 50.SS.814.1    |
| 6  | 1         | Vite M8x45 / Screw M8x45                            | 50.73.602.1    |
| 7  | 1         | Rondella in alluminio nera / Black aluminium washer | 50.73.221.1    |
| 8  | 2         | Boccola / Bush                                      | 50.73.381.1    |
| 9  | 2         | Silentblock / Silentblock                           | 50.73.380.1    |
| 10 | 1         | Vite M8x50 / Screw M8x50                            | 50.73.074.1    |
| 11 | 1         | Rondella in alluminio / Aluminium washer            | 50.73.063.1    |
| 12 | 1         | Staffa / Bracket                                    | 50.SS.750.0    |
| 13 | 2         | Dado M8 flangiato / Flanged nut M8                  | 50.73.393.1    |
| 14 | 1         | Tubo di raccordo / Link Pipe                        | 9773T014SRX    |
| 15 | 1         | Guarnizione in grafite / Graphite bush              | 50.72.45.50.30 |
| 16 | 1         | Fascetta Ø 48/51 mm / Pipe clamp Ø 48/51 mm         | 50.FA.007.1    |
| 17 | 2         | Molla media / Middle spring                         | 50.73.359.1    |
| 18 | 2         | Tubo in gomma per molla / Rubber pipe for spring    | 50.73.210.1    |



**APPLICAZIONI / APPLICATIONS**

| CODICE / CODE          | TUBO / PIPE      | SILENZIATORE / MUFFLER   | FASCETTA / CLAMP        | NOTE                                |
|------------------------|------------------|--|-------------------------|-------------------------------------|
| T.014.LRX<br>T.014.LRB | INOX / ST. STEEL | INOX (COPPE CARBONIO) / ST. STEEL (CARBON CAPS)<br>STEEL BLACK | CARBONIO / CARBON FIBER | CATALYTIC CONVERTER<br>NOT INCLUDED |
| T.014.KRX<br>T.014.KRB | INOX / ST. STEEL | INOX (COPPE CARBONIO) / ST. STEEL (CARBON CAPS)<br>STEEL BLACK | CARBONIO / CARBON FIBER | CATALYTIC CONVERTER<br>INCLUDED     |