



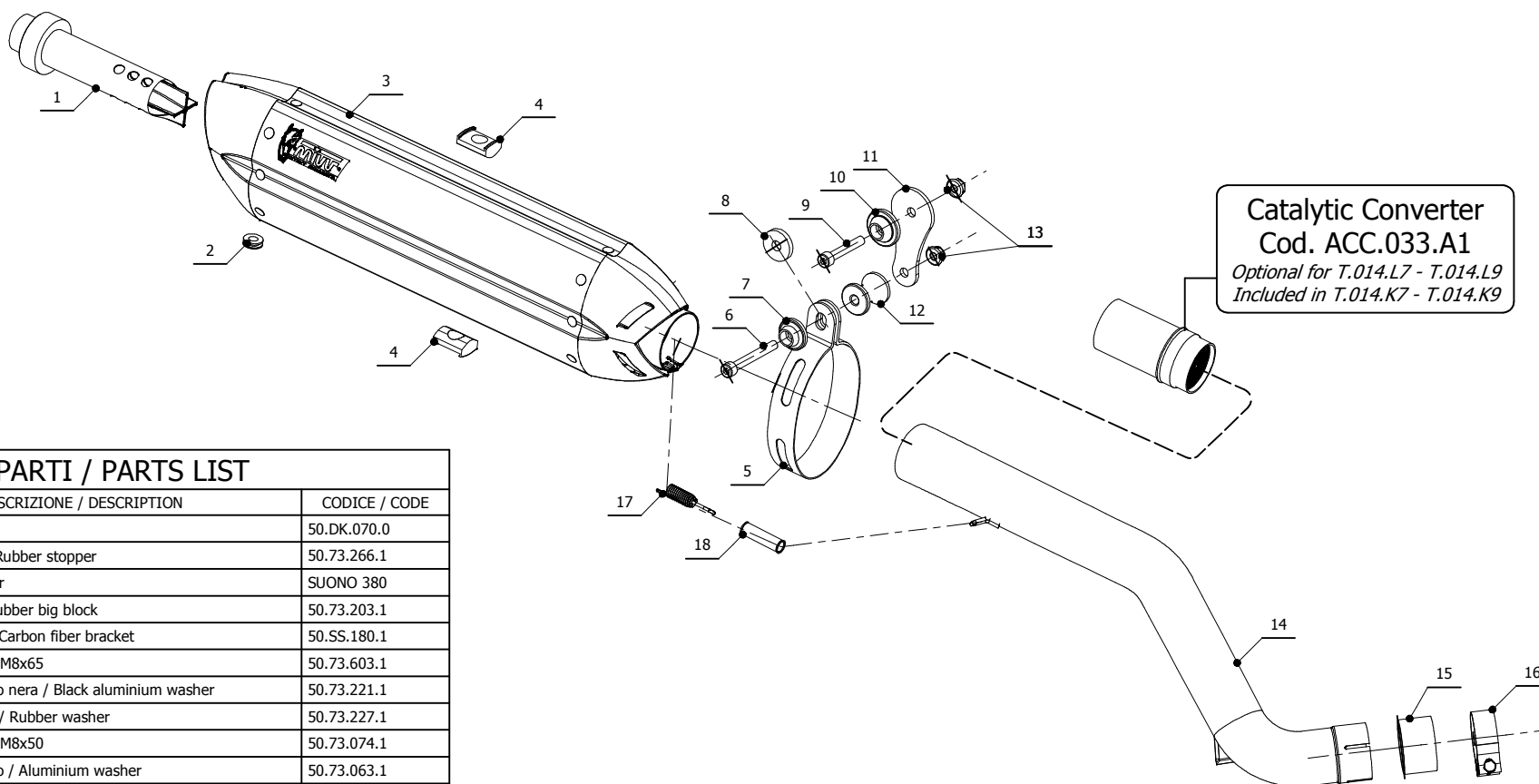
MODEL TRIUMPH TIGER 1050 SPORT

YEAR 2013 - 2015

LINE SLIP ON

MUFFLER SUONO

SCHEMATIC



Catalytic Converter
Cod. ACC.033.A1
Optional for T.014.L7 - T.014.L9
Included in T.014.K7 - T.014.K9

ELENCO PARTI / PARTS LIST

#	QTÀ / QTY	DESCRIZIONE / DESCRIPTION	CODICE / CODE
1	1	DB killer / DB killer	50.DB.070.0
2	1	Tappo in gomma / Rubber stopper	50.73.266.1
3	1	Silenziatore / Muffler	SUONO 380
4	2	Tassello grande / Rubber big block	50.73.203.1
5	1	Staffa in carbonio / Carbon fiber bracket	50.SS.180.1
6	1	Vite M8x65 / Screw M8x65	50.73.603.1
7	1	Rondella in alluminio nera / Black aluminium washer	50.73.221.1
8	1	Rondella in gomma / Rubber washer	50.73.227.1
9	1	Vite M8x50 / Screw M8x50	50.73.074.1
10	1	Rondella in alluminio / Aluminium washer	50.73.063.1
11	1	Staffa / Bracket	50.SS.750.0
12	1	Distanziale in alluminio / Aluminium spacer (Øe.30 Øi.8,5 h.35)	50.SS.053.1
13	2	Dado M8 flangiato / Flanged nut M8	50.73.393.1
14	1	Tubo di raccordo / Link Pipe	9773T014SE
15	1	Guarnizione in grafite / Graphite bush	50.72.45.50.30
16	1	Fascetta Ø 48/51 mm / Pipe clamp Ø 48/51 mm	50.FA.007.1
17	1	Molla corta / Short Spring	50.73.123.1
18	1	Tubo in gomma per molla / Rubber pipe for spring	50.73.210.1

APPLICAZIONI / APPLICATIONS

CODICE / CODE	SILENZIATORE / MUFFLER	TUBO / PIPE	FASCETTA / CLAMP	NOTE
T.014.L7 T.014.L9	INOX (COPPE CARBONIO) / ST. STEEL (CARBON CAPS) STEEL BLACK	INOX / ST. STEEL	CARBONIO / CARBON FIBER	CATALYTIC CONVERTER NOT INCLUDED
T.014.K7 T.014.K9	INOX (COPPE CARBONIO) / ST. STEEL (CARBON CAPS) STEEL BLACK	INOX / ST. STEEL	CARBONIO / CARBON FIBER	CATALYTIC CONVERTER INCLUDED

